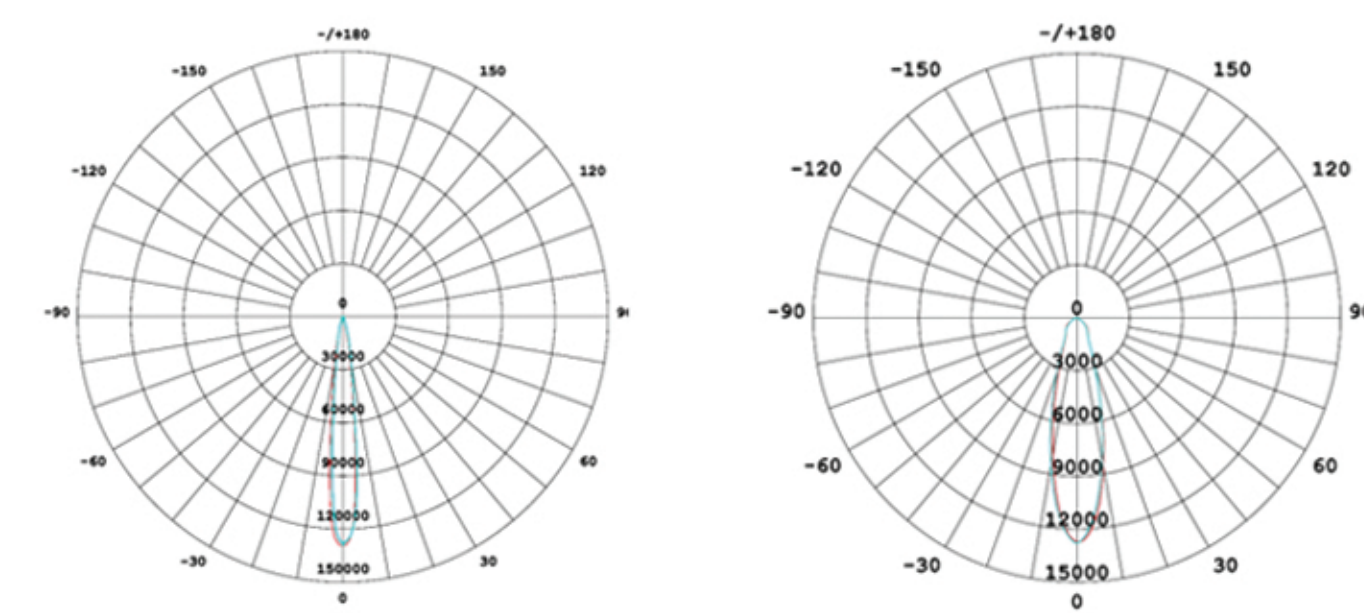


TF2C

Double-Coupling IP68
Modular LED High Bay Lights

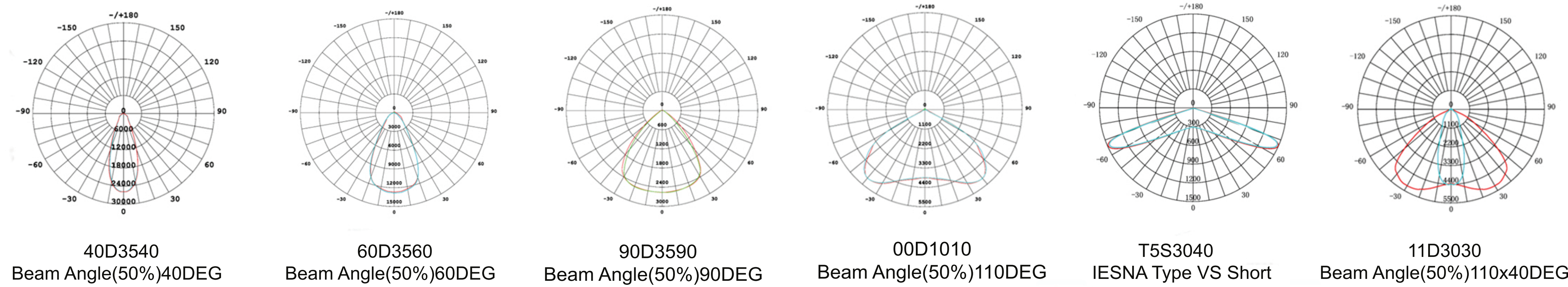


Black
Gray



12D1908 Beam Angle(50%)12DEG
25D3725 Beam Angle(50%)25DEG

[Lighting Distribution Curve]



TF2C LED High Bay Lights

[Main Features]

- Modular pluggable technology, easy tool onsite maintenance;
- Honeycomb and whole structure cooling technology, high efficient heat dissipation;
- Double-coupling IP68 protection, highest waterproof level;
- Intelligent constant current driving technology, long life span;
- Ergonomic light distribution to achieve uniform illuminating effect;
- Free modular serialization and full power range solutions.

[Technical Parameters]

Input Voltage	Power Efficiency	Power Factor	Junction Temperature	CRI	Working Environment	Storage Temperature
---------------	------------------	--------------	----------------------	-----	---------------------	---------------------

AC100V-277V 91% 0.95 <80C Ra ≥ 70 -40C ~ +50C
10% ~ 90%RH -40C ~ +50C

LED Life Span	Surge Protection	CCT	LED Brand	Material	IP Rating
---------------	------------------	-----	-----------	----------	-----------

>60,000 hours 4KV 3000K, 4000K, 5000K, 5700K Lumileds Aluminium Alloy LED Module IP68
Power Supply IP67

Model	System Power (W)	LM/W (Ultra High)	LM/W (High)	Initial Lumens (Ultra High)	Initial Lumens (High)	Product Size (mm)	Packaging Dimensions (mm)	N.W. (Kg)	G.W. (Kg)
TF2C-1	40	110	100	4400	4000	360x200x95	430x265x150	3.2	4.1
	50	105	95	5250	4750	360x200x95	430x265x150	3.2	4.1
	60	100	90	6000	5400	360x200x95	430x265x150	3.2	4.1
TF2C-2	80	110	100	8800	8000	360x200x175	430x265x230	4.7	5.7
	100	105	95	10500	9500	360x200x175	430x265x230	4.7	5.7
TF2C-3	120	100	90	12000	10800	360x200x175	430x265x230	4.7	5.7
	120	110	100	13200	12000	360x260x255	430x335x330	5.6	6.6
TF2C-4	150	105	95	15750	14250	360x260x255	430x335x330	5.6	6.6
	180	100	90	18000	16200	360x260x255	430x335x330	5.6	6.6
TF2C-5	160	110	100	17600	16000	360x260x335	475x430x210	6.7	8.0
	200	105	95	21000	19000	360x260x335	475x430x210	6.7	8.0
TF2C-6	240	100	90	24000	21600	360x260x335	475x430x210	6.7	8.0
	200	110	100	22000	20000	360x360x415	615x430x210	8.4	9.9
TF2C-7	250	105	95	26250	23750	360x360x415	615x430x210	8.4	9.9
	300	100	90	30000	27000	360x360x415	615x430x210	8.4	9.9
TF2C-8	240	110	100	26400	24000	360x360x495	660x430x210	9.4	11.1
	300	105	95	31500	28500	360x360x495	660x430x210	9.4	11.1
	360	100	90	36000	32400	360x360x495	660x430x210	9.4	11.1
TF2C-9	280	110	100	30800	28000	360x360x575	695x430x210	10.1	11.6
	350	105	95	36750	33250	360x360x575	695x430x210	10.1	11.6